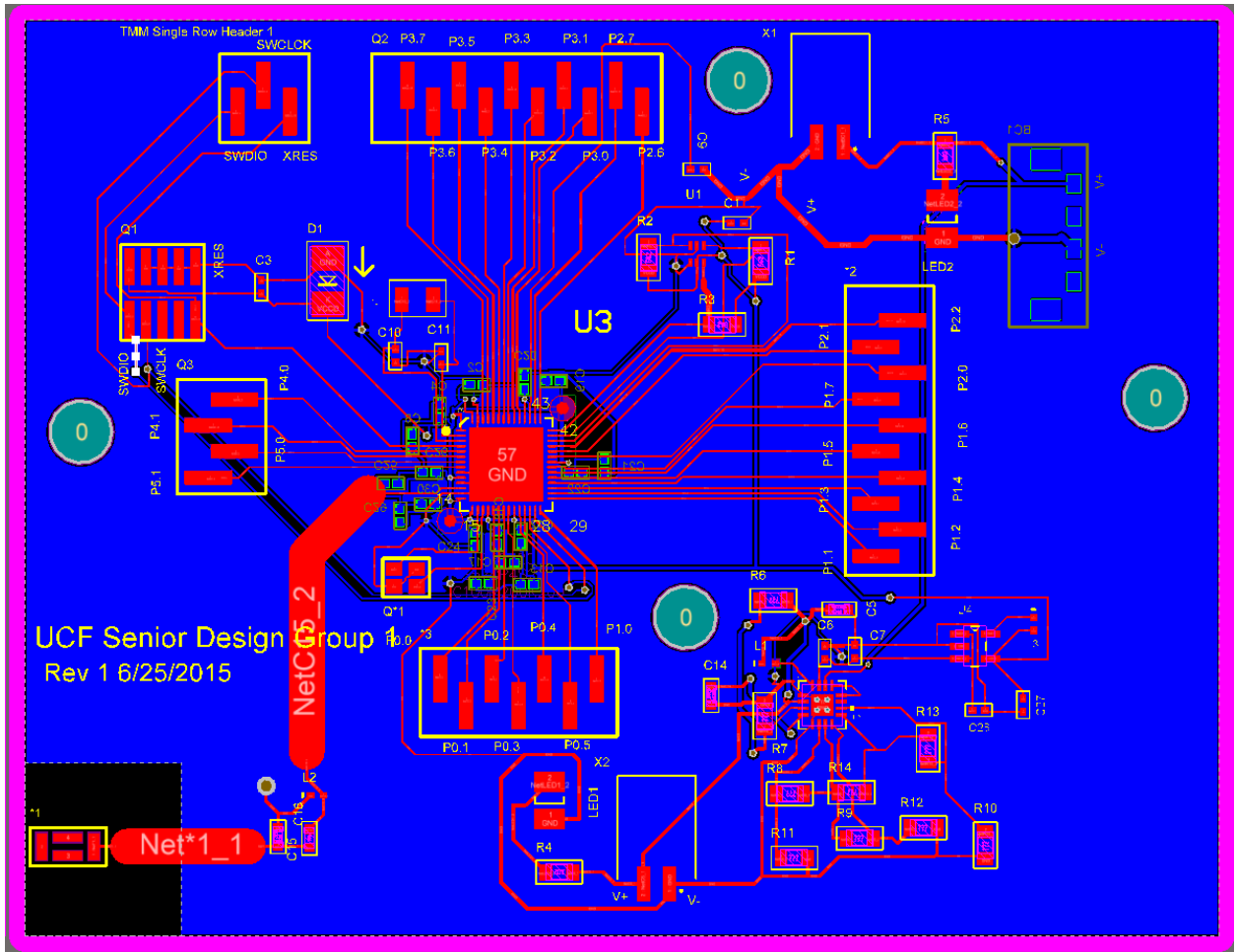
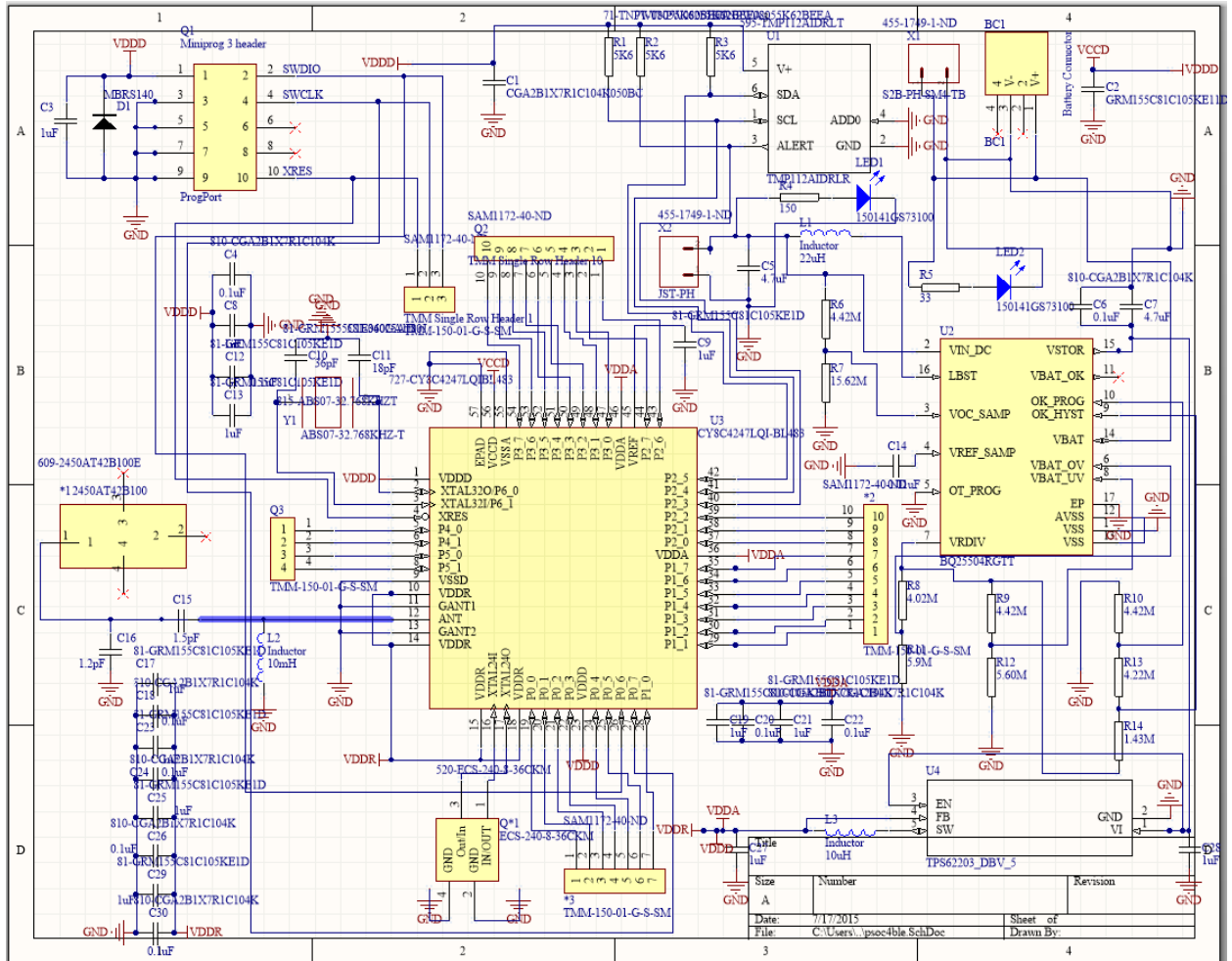


PCB Design

Group 1: Nome's Child Safety Seat





Size	Number	Revision
A		

Date: 7/17/2015	Sheet of
File: C:\Users\ipoc4ble\SchDoc	Drawn By: